

SLP20XP

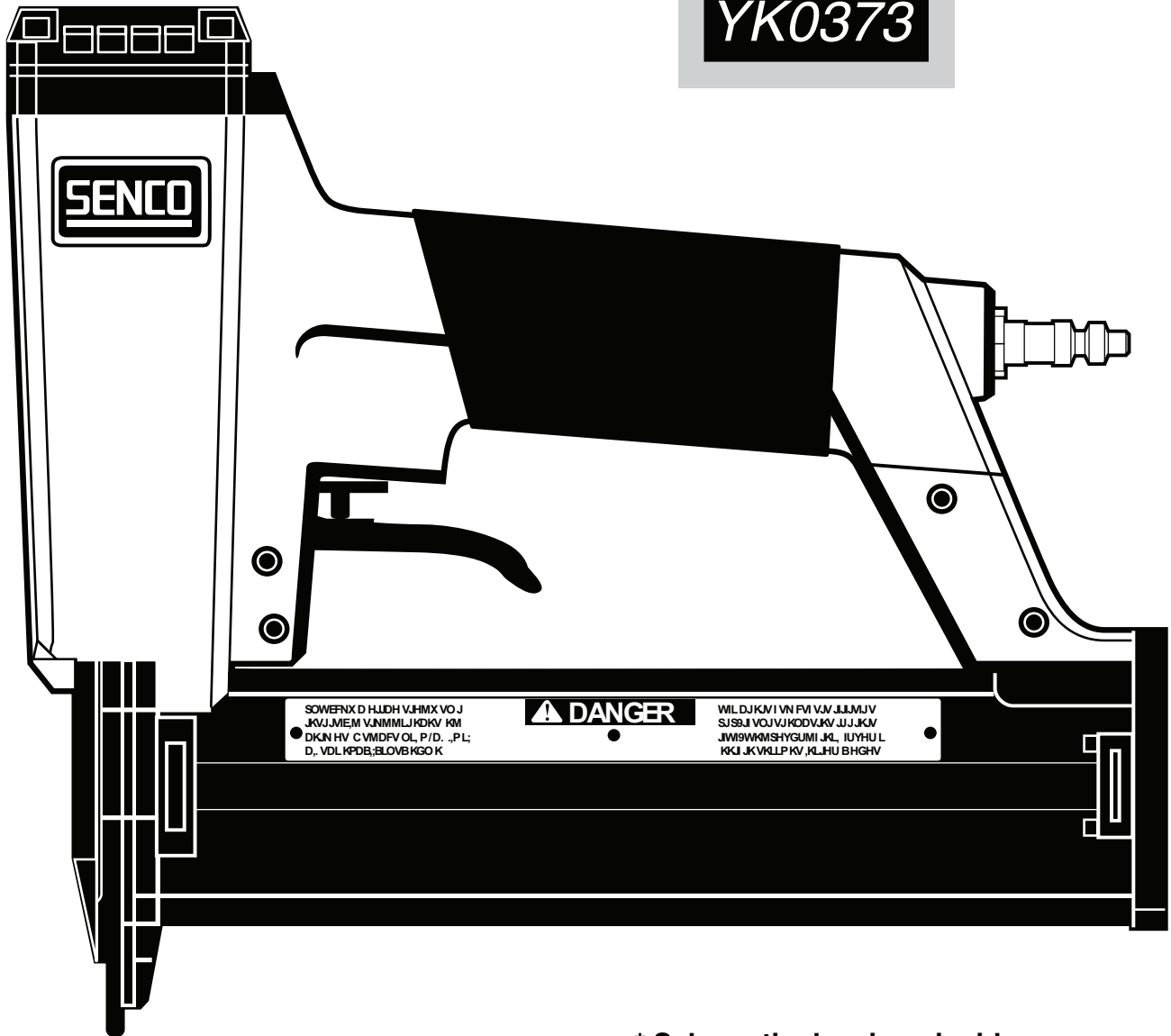


Parts Reference Guide



Parts Kit

YK0373

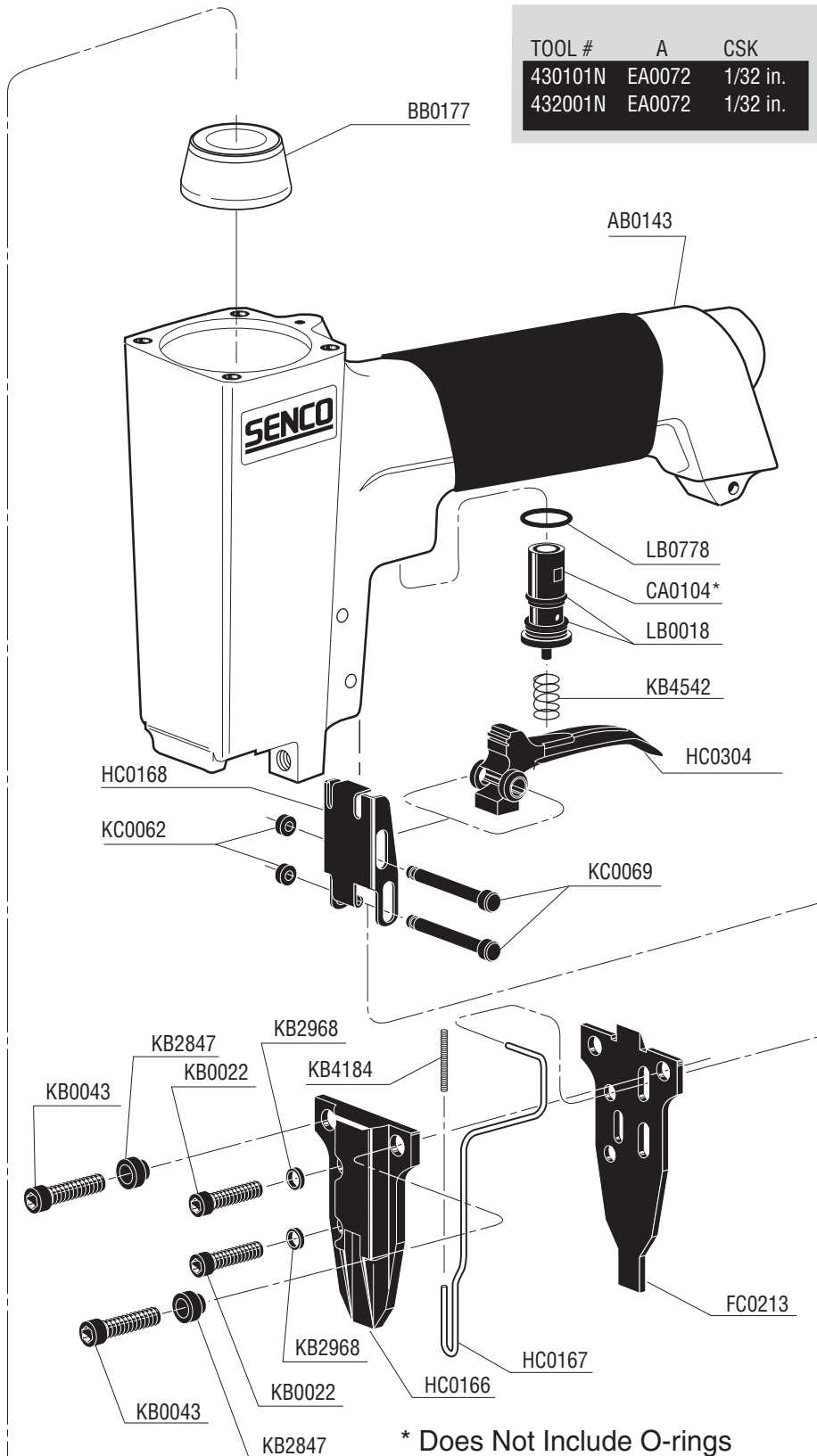
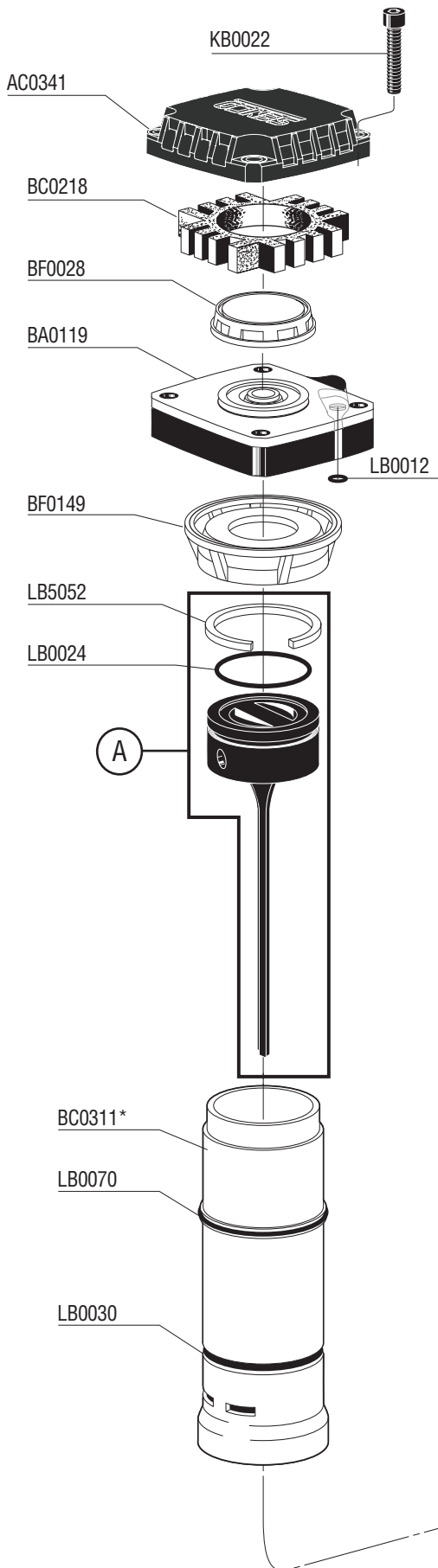


* Schematic drawings inside

NFG043 Revised September 28, 2010 (Replaces 5/20/10) © 2010 by Senco Brands, Inc. Cincinnati, Ohio 45245 - U.S.A.

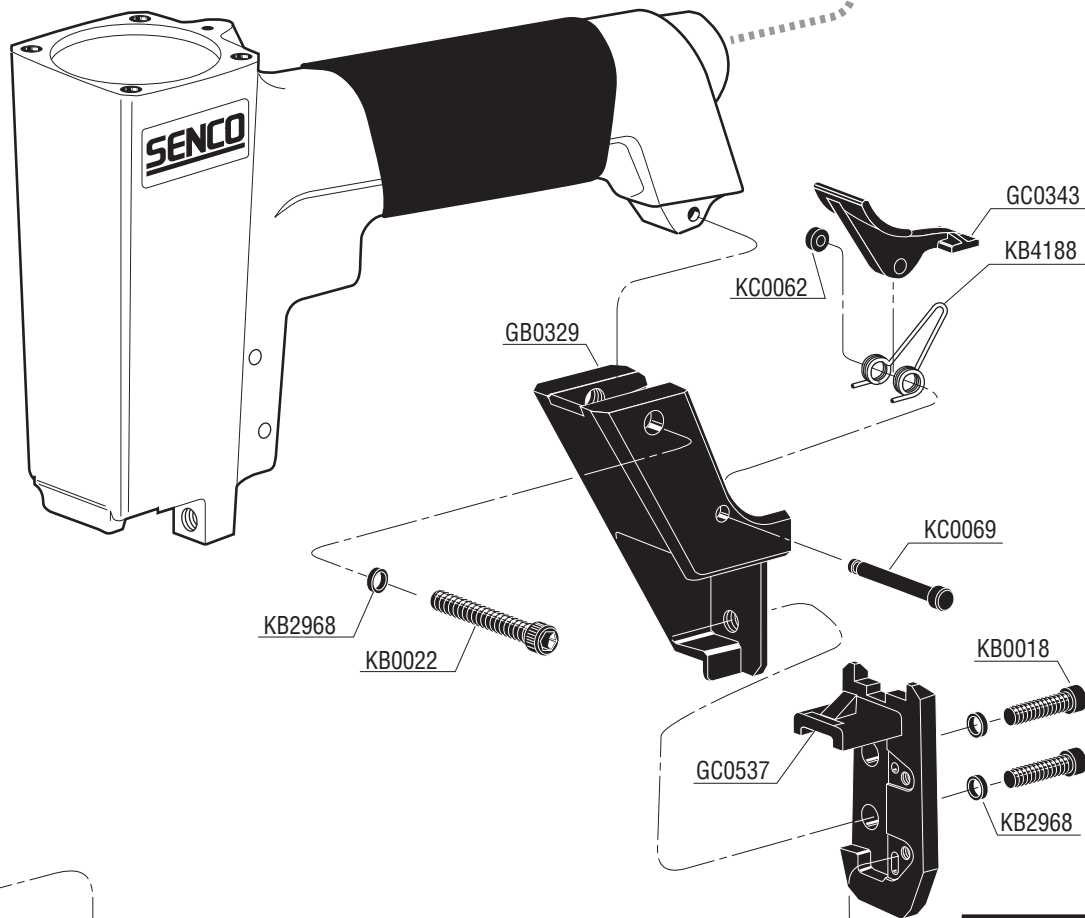
Senco Brands Inc.
4270 Ivy Pointe Blvd.
Cincinnati, Ohio 45245
Visit Our Website: www.senco.com
EU Website: www.verpa-senco.com

Questions? Comments? call Senco's toll-free Action-line:
1-800-543-4596 (North and South America Only)
or e-mail: toolprof@senco.com



| TOOL # | A | CSK |
|---------|--------|----------|
| 430101N | EA0072 | 1/32 in. |
| 432001N | EA0072 | 1/32 in. |

- * Does Not Include O-rings
- * No incluye sellos de gomas
- * Ohne Dichtringe
- * Joints exclus



KB2968
KB0022

GB0329

KC0062

GC0343

KB4188

KC0069

KB0018

GC0537

KB2968

GA0479

GC0548

KB5285
GB0317

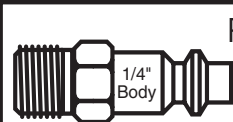
KB2968

KB0018

GA0478 (US)
GA0512 (EU)

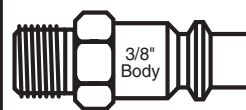
Available Plugs

(Not Included with Tool)



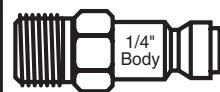
PC0479 ✓

Ind. Interchange 1/4" NPT



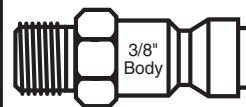
PC0486

Ind. Interchange 1/4" NPT



PC0468 ✓

Tru-Flate 1/4" NPT



PC0474

Tru-Flate 1/4" NPT

✓ Recommended Plugs

Plugs shown smaller than actual size

| PART # | DESCRIPTION | DESCRIPCIÓN | BESCHREIBUNG | DÉSIGNATION |
|--------|-------------------------|---------------------|------------------------|---------------------|
| AB0143 | MAIN BODY ASSY | ASAMBLE DE CARCASA | GEHÄUSE-ZUSAMMENBAU | CORPS D'ASSEMBLÉE |
| AC0341 | DEFLECTOR | DESVIADOR | ABWEISER | DÉFLECTEUR |
| BA0119 | VALVE ASSY | ASAMBLE DE VÁLVULA | VENTIL-ZUSAMMENBAU | VALVE D'ASSEMBLÉE |
| BB0177 | STOP | TOPE | PUFFER | ARRÊT |
| BC0218 | MUFFLER | SILENCIADOR | DÄMPFER | SILENCIEUX |
| BC0224 | INSERT | ACOPLAMIENTO | EINSATZ | INSERT |
| BC0311 | CYLINDER | CILINDRO | ZYLINDER | CYLINDRE |
| BF0028 | SEAL | SELLO | DICHTUNG | JOINT |
| BF0149 | RETAINER | JUNTA TÓRICA | SICHERUNGSRING | RETENUE |
| CA0104 | VALVE ASSY | ASAMBLE DE VÁLVULA | VENTIL-ZUSAMMENBAU | VALVE D'ASSEMBLÉE |
| EA0072 | PISTON ASSY (1/32" csk) | ASAMBLE DE PISTON | KOLBEN-ZUSAMMENBAU | PISTON D'ASSEMBLÉE |
| FC0213 | PLATE | PLACA | PLATTE | PLAQUE |
| GA0478 | RAIL ASSY (US) | ASAMBLE DE CARRIL | SCHIENE-ZUSAMMENBAU | RAIL D'ASSEMBLÉE |
| GA0479 | RAIL ASSY | ASAMBLE DE CARRIL | SCHIENE-ZUSAMMENBAU | RAIL D'ASSEMBLÉE |
| GA0512 | RAIL ASSY (EU) | ASAMBLE DE CARRIL | SCHIENE-ZUSAMMENBAU | RAIL D'ASSEMBLÉE |
| GB0317 | FEEDER SHOE | ALIMENTADOR | NAGELSCHIEBER | POUSSOIR |
| GB0329 | SUPPORT | SOPORTE | TRAGER | SUPPORT |
| GC0343 | LATCH | UÑETA | VERSCHLUSS | DOIGT DE RETENUE |
| GC0537 | LATCH | UÑETA | VERSCHLUSS | DOIGT DE RETENUE |
| GC0548 | GUIDE | GUÍA | FÜHRUNG | GUIDE |
| HC0166 | COVER | CUBIERTA | ABDECKUNG | COUVERCLE |
| HC0167 | SAFETY ELEMENT | SEGURO | SICHERHEITSVORRICHTUNG | PALPEUR DE SÉCURITÉ |
| HC0168 | LINK | VARILLA DE CONEXIÓN | GESTÄNGE | BIELLETTTE |
| HC0304 | TRIGGER | GATILLO | AUSLÖSER | GACHETTE |
| KB0018 | SCREW | TORNILLO | SCHRAUBE | VIS |
| KB0022 | SCREW | TORNILLO | SCHRAUBE | VIS |
| KB0043 | SCREW | TORNILLO | SCHRAUBE | VIS |
| KB2968 | WASHER | ARANDELA | SCHEIBE | RONDELLE |
| KB2847 | INSERT | ACOPLAMIENTO | EINSATZ | INSERT |
| KB4184 | SPRING | MUELLE | FEDER | RESSORT |
| KB4188 | SPRING | MUELLE | FEDER | RESSORT |
| KB4542 | SPRING | MUELLE | FEDER | RESSORT |
| KB5285 | SPRING | MUELLE | FEDER | RESSORT |
| KC0062 | RETAINER | JUNTA TÓRICA | SICHERUNGSRING | RETENUE |
| KC0069 | PIN | PASADOR | STIFT | GOUPILLE |
| LB0012 | SEAL | SELLO | DICHTUNG | JOINT |
| LB0018 | SEAL | SELLO | DICHTUNG | JOINT |
| LB0024 | SEAL | SELLO | DICHTUNG | JOINT |
| LB0030 | SEAL | SELLO | DICHTUNG | JOINT |
| LB0070 | SEAL | SELLO | DICHTUNG | JOINT |
| LB0778 | SEAL | SELLO | DICHTUNG | JOINT |
| LB5052 | SEAL | SELLO | DICHTUNG | JOINT |