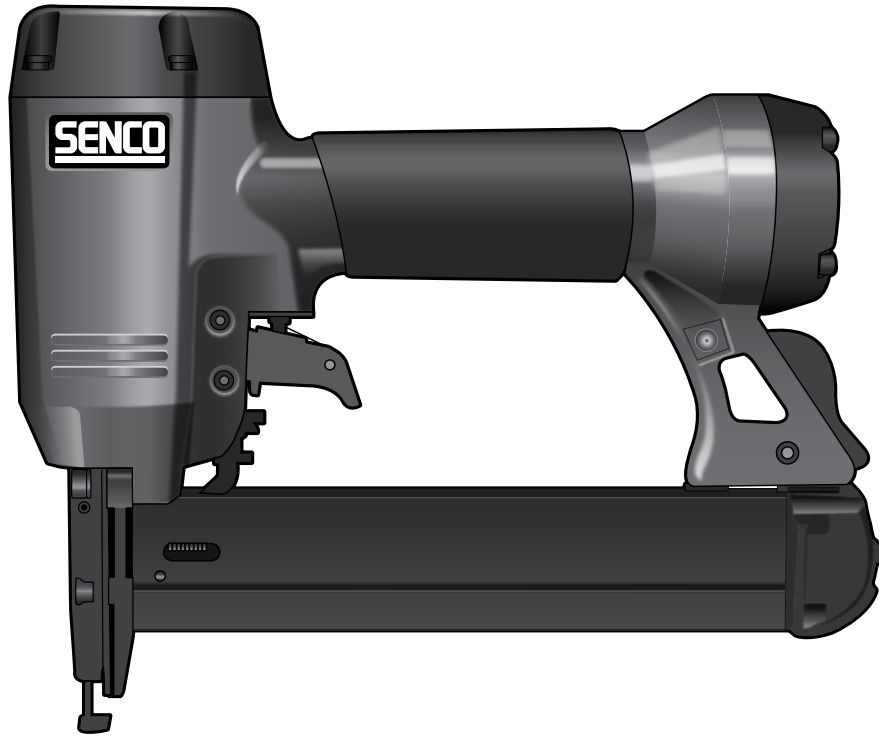




FinishPro 2N1

18 Gauge Brad Nailer/Finish Stapler



Parts Reference Guide
Guía de referencia de piezas
Pièces Guide de référence

Schematic Drawings Inside
Plano esquemático en el interior
Schéma intérieur

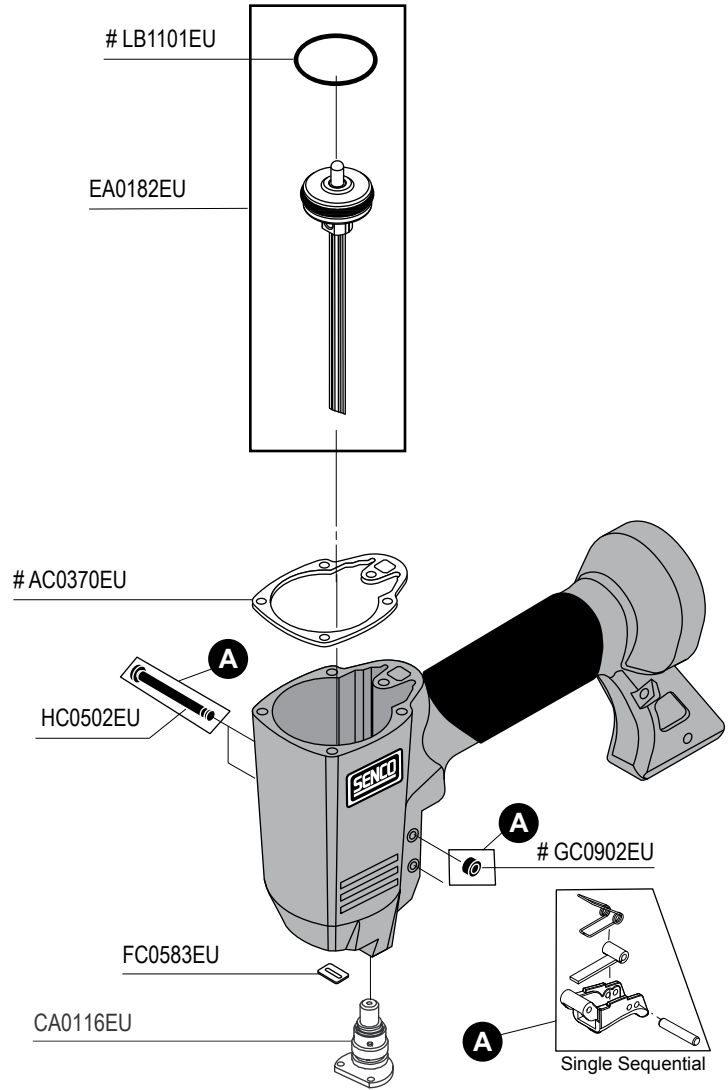
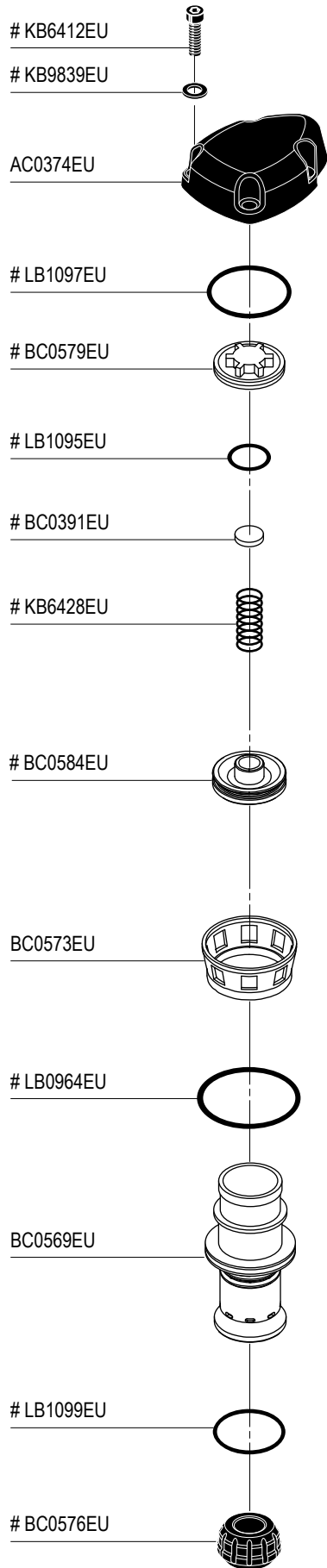
Repair Kits
YK0393EU



Senco Brands, Inc.
4270 Ivy Pointe Blvd.
Cincinnati, OH 45245
1-800-543-4596
www.senco.com
EMEA: www.senco-emea.com

= Contents of YK0393EU Kit

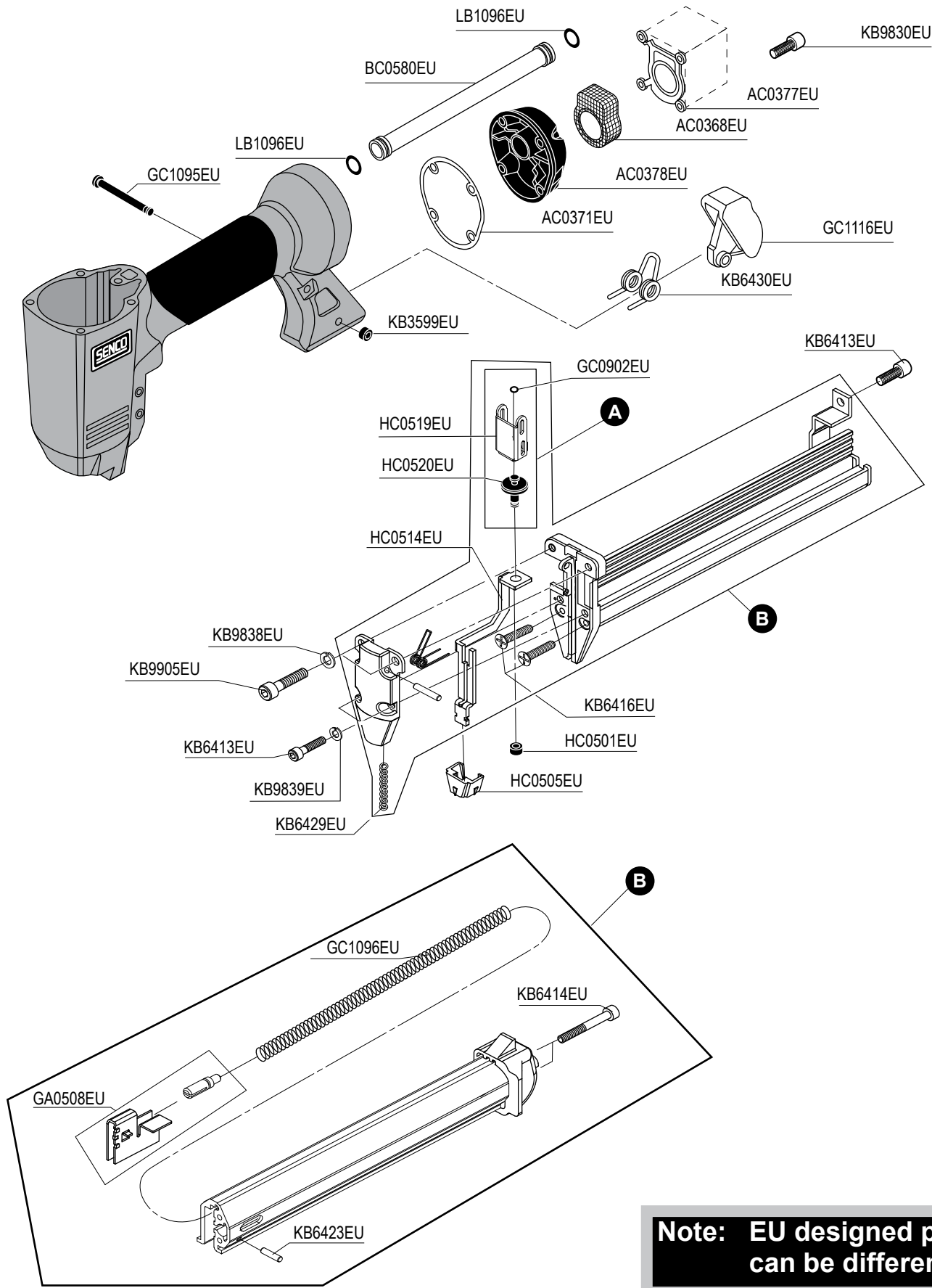
Tool #	Model
2D2001N	Single Sequential



Tool #	Model	A	B
2D2001N	Single-Sequential (Euro)	HA0192EU	GA0507EU

18 Gauge Brad Nailer/Finish Stapler

FinishPro 2N1



Note: EU designed parts can be different.



18 Gauge Brad Nailer/ Finish Stapler

FinishPro 2N1

REPLACEMENT PARTS LIST • LISTA DE PARTES DE REPUESTO • LISTE DE PIÈCES DE RECHANGE

PART NO.	DESCRIPTION	DESCRIPCIÓN	DÉSIGNATION
AC0368EU	Muffler	Silenciador	Silencieux
AC0370EU	Seal	Sello	Joint
AC0371EU	Seal	Sello	Joint
AC0374EU	Cylinder Cap	Tapa	Bouchon
AC0377EU	Cover	Cubierta	Couvercle
AC0378EU	Cover	Cubierta	Couvercle
BC0391EU	Seal	Sello	Joint
BC0569EU	Cylinder	Cilindro	Cylindre
BC0573EU	Retainer	Junta Tórica	Retenue
BC0576EU	Bumper	Amortiguador	Amortisseur
BC0579EU	Exhaust Valve Site	Asamble De Válvula	Valve D'assemblée
BC0580EU	Tube	Tube	Tube
BC0584EU	Firing Valve Assembly	Asamble De Válvula	Valve D'assemblée
CA0116EU	Remote Valve Assy	Asamble De Válvula	Valve D'assemblée
EA0182EU	Piston Assembly	Asamble De Piston	Ensemble Piston-couteau
FC0583EU	Washer	Arandela	Rondelle
GA0507EU	Magazine Assembly	Asamble De Cargador	Ensemble Magasin
GA0508EU	Feeder Shoe	Alimentador	Poussoir
GC0902EU	Retainer	Junta Tórica	Retenue
GC1095EU	Pin	Pasador	Goupille
GC1096EU	Spring	Resorte	Ressort
GC1116EU	Latch	Uñeta	Doigt De Retenue
HA0192EU	Trigger Assy	Asamble De Gatillo	Ensemble Gâchette
HC0501EU	Shaft Ring	Anillo	Anneau
HC0502EU	Pin	Pasador	Goupille
HC0505EU	No-mar Pad	Amortiguador	Coussin
HC0514EU	Safety (yoke) Element	Asamble De Seguro	Palpeur De Sécurité
HC0519EU	Plate	Placa	Plaque
HC0520EU	Safety Adjustment Wheel	Manivela	Molette
KB3599EU	Retainer	Junta Tórica	Retenue
KB6412EU	Screw	Tornillo	Vis
KB6413EU	Screw	Tornillo	Vis
KB6414EU	Screw	Tornillo	Vis
KB6416EU	Screw	Tornillo	Vis
KB6423EU	Pin	Pasador	Goupille
KB6428EU	Spring	Resorte	Ressort
KB6429EU	Spring	Resorte	Ressort
KB6430EU	Spring	Resorte	Ressort
KB9830EU	Screw	Tornillo	Vis
KB9838EU	Washer	Arandela	Rondelle
KB9839EU	Washer	Arandela	Rondelle
KB9905EU	Screw	Tornillo	Vis
LB0964EU	Seal	Sello	Joint
LB1095EU	Seal	Sello	Joint
LB1096EU	Seal	Sello	Joint
LB1097EU	Seal	Sello	Joint
LB1099EU	Seal	Sello	Joint
LB1101EU	Seal	Sello	Joint