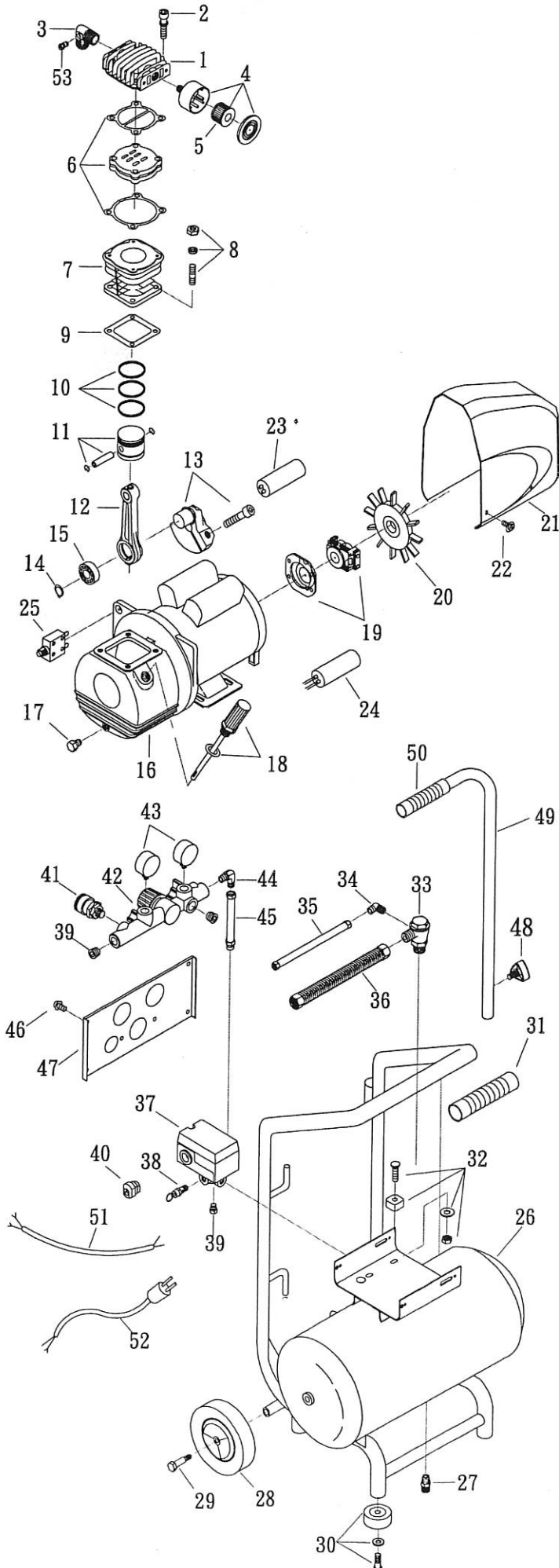


SPARE PARTS LIST

NO : RLE-1111



REF. NO.	DESCRIPTION	PART NO.	QTY.
1	Cylinder head	3101042	1
2	Allen bolt set	3B01-M06*040V	4
3	Exhaust elbow	2N06-04T04HT2	1
4	Air filter set	2140019RS	1
5	Filter element	2142013	1
6	Inlet&Exhaust valve assembly	3B13-K5051	1
7	Cylinder	3201003	1
8	Double head screw set	3B11-008-A	4
9	Cylinder gasket	2G04-002	1
10	Piston ring set	3B32-51N	1
11	Piston set	3B31-51N	1
12	Rod	2315002	1
13	Crankshaft & balancer	3304062	1
14	Retainer	2N42-S20	1
15	Bearing	2N35-6204	1
16	Motor set	3B8-NB1210C	1
17	Oil draining plug	2N33-001	1
18	Dipstick set	2339008ARS	1
19	Centrifugal switch set	2E24-14062P	1
20	Cooling fan	2336037-2	1
21	Shroud	2428010RS	1
22	Bolt	2B02-FM5*010WB	4
23	Starting capacitor	2E28-300F125V	1
24	Running capacitor	2E27-110F250V	1
25	Circuit breaker	2E25-18A	1
26	Air tank	3401C030	1
27	Drain valve	2405012	1
28	Tank wheel	2402051RS	2
29	Tank wheel bolt	2418001RS	2
30	Rubber pad set	3433013-ARS	2
31	Rubber grip	2432102RS	1
32	Motor feet bolt set	3B08-FM08*30-RS	4
33	Check valve	2414025	1
34	Exhaust elbow	2N06-01T02H	1
35	Unloading tube	3B2-02*170F	1
36	Exhaust tube	3B2-04*470	1
37	Pressure switch	2E21-BA266ABRS	1
38	Pressure relief valve	2406018CE	1
39	Plug	2B14-ST02E	3
40	Strain relief bushing	2E04-010	3
41	Quick coupler	07S1/4M-ERS	1
42	Exhaust manifold	2408012RS	1
43	Pressure gauge	2D12-15V15KSRS	2
44	Exhaust elbow	2N06-02T02SRS	1
45	Tube	2T06-029RS	1
46	Bolt	2B02-FM5*010WB	6
47	Panel	3420055	1
48	Bolt	2B44-FM08*018	1
49	Grip	3432073	1
50	Rubber grip	2432004	1
51	Cable	2E02-2C30502Y2T	1
52	Power cable	2E01-046	1
53	Auto relief valve	2409003	1