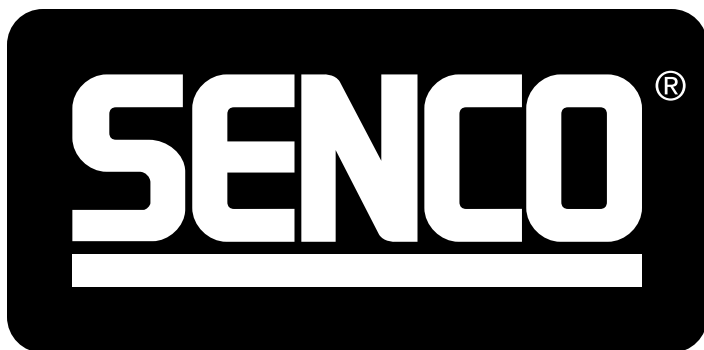


Parts Reference Guide  
Guía de referencia de piezas  
Pièces Guide de référence

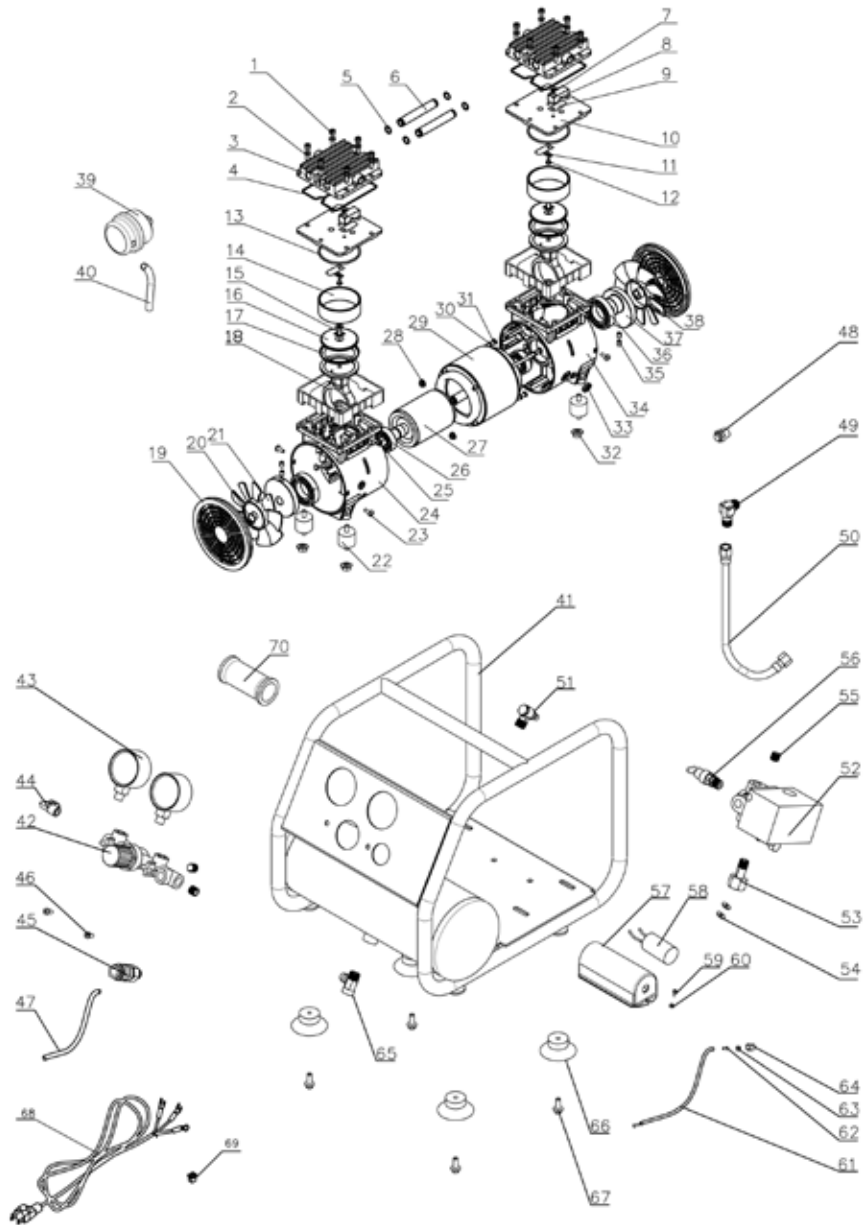
Schematic Drawings Inside  
Plano esquemático en el interior  
Schéma intérieur





# Low Noise Compressor

# AC10304





# Low Noise Compressor

# AC10304

## REPLACEMENT PARTS LIST • ONDERDELENLIJST • ERSATSTEILE-LISTE • LISTE DE PIÈCES DE RECHANGE

| PART NO. | DESCRIPTION | OMSCHRIJVING                  | BESCHREIBUNG                         | DÉSIGNATION                |                                 |
|----------|-------------|-------------------------------|--------------------------------------|----------------------------|---------------------------------|
| 1        | 203010.003  | INTERNAL HEX ROUND HEAD SCREW | INTERNE ZESKANTSCHROEF               | RUNDKOPFSCHRAUBE           | VIS INTÉRIEURE HEX              |
| 2        | 205010.001  | FLAT WASHER                   | PLATTE SLUITRING                     | UNTERLEGSCHEIBE            | RONDELLE PLATE                  |
| 3        | 311111.011  | CYLINDER HEAD                 | CILINDERKOP                          | ZYLINDERKOPF               | TÊTE DE CYLINDRE                |
| 4        | 210003.003  | SEAL GASKET FOR CYLINDER HEAD | AFDICHTINGSPPAKKING VOOR CILINDERKOP | DICHTUNGSRING ZYLINDERKOPF | JOINT POUR TÊTE DE CYLINDRE     |
| 5        | 210002.002  | O-RING                        | O-RING                               | O-RING                     | JOINT TORIQUE                   |
| 6        | 311511.002  | CROSSOVER AIR TUBE            | DWARSDOORLAATBARE LUCHTBUIJS         | LUFTSCHLAUCH               | CROISEMENT DE TUBES             |
| 7        | 203014.003  | HEAD SCREW                    | KOPFSCHROEF                          | KOPFSCHRAUBE               | VIS À TÊTE                      |
| 8        | 315111.001  | LIMIT RANGE IMPLEMENT         | BESTURINGSSELEMENT                   | KONTROLLEINHEIT            | ELEMENT DE CONTRÔLE             |
| 9        | 315211.002  | VALVE BLOCK                   | KLEPPENBLOK                          | VENTILBLOCK                | BLOC VALVE                      |
| 10       | 315311.005  | VALVE BOARD                   | KLEPPORD                             | VENTILBRÜCKE               | BRIDE DE PLAQUE DE VALVE        |
| 11       | 315511.004  | VALVE BLOCK CLAMP             | KLEPPELÖCKLEM                        | VENTILBLOCKKLEMMER         | PLAQUE DE VALVE                 |
| 12       | 203014.003  | HEAD SCREW                    | KOPFSCHROEF                          | KOPFSCHRAUBE               | VIS À TÊTE                      |
| 13       | 210002.006  | O-RING                        | O-RING                               | O-RING                     | JOINT TORIQUE                   |
| 14       | 311311.004  | CYLINDER                      | CILINDER                             | ZYLINDER                   | CYLINDRE                        |
| 15       | 203012.004  | HEX COUNTERSINK SCREW         | ZESKANTSCHROEF                       | SECHSKANT SCHRAUBE         | VIS TÊTE PLATE                  |
| 16       | 312111.003  | PISTON CAP                    | ZUIGERHOUDER                         | KOLBENKAPPE                | COUVERCLE DE PISTON             |
| 17       | 312711.004  | PISTON RING                   | ZUIGERVEER                           | KOLBENRING                 | JOINT DE PISTON                 |
| 18       | 313112.004  | CONNECTING ROD                | VERBINDINGSSTANG                     | PLEUELSTANGE               | TIGE DE LIAISON                 |
| 19       | 323211.002  | FAN SCOOPER                   | VENTILATOR WIND VANGER               | LÜFTERSCHAUFEL             | SCOOPER VENTILATEUR             |
| 20       | 205024.003  | CIRCLIP FOR SHAFT             | BORGRIJG VOOR SCHACHT                | SICHERUNGSRING             | CIRCLIP                         |
| 21       | 323112.006  | FAN                           | VENTILATOR                           | LÜFTER                     | VENTILATEUR                     |
| 22       | 352212.001  | SHOCK PAD                     | SCHOKKUSSEN                          | SCHOCK PAD                 | AMORTISSEUR                     |
| 23       | 203016.002  | CROSS PAN HEAD SCREW          | KRUISKOPFSCHROEF                     | KREUZSCHRAUBE              | VIS TÊTE BOMBÉE                 |
| 24       | 314111.006  | CRANKCASE                     | KRUKKAST                             | KURBELGEHÄUSE              | CARTER VILLEBREQIN              |
| 25       | 203010.045  | SCREW                         | SCHROEF                              | SCHRAUBE                   | VIS                             |
| 26       | 208001.003  | BEARING                       | LAGER                                | LAGER                      | ROULEMENT                       |
| 27       | 321311.007  | MOTOR ROTOR                   | MOTOR ROTOR                          | ROTOR                      | ROTOR                           |
| 28       | 204011.001  | NUT                           | MOER                                 | MUTTER                     | ECROU                           |
| 29       | 321111.011  | MOTOR STATOR                  | MOTOR STATOR                         | STARTER                    | STATOR                          |
| 30       | 205020.003  | SPRING GASKET                 | VEERDICHTUNG                         | FEDERDICHTUNG              | JOINT ÉLASTIQUE                 |
| 31       | 201011.010  | HEX SCREW                     | ZESKANTSCHROEF                       | SECHSKANTSCHRAUBE          | VIS HEX                         |
| 32       | 204011.002  | NUT                           | MOER                                 | MUTTER                     | ECROU                           |
| 33       | 326211.003  | POWER CORD BUCKLE             | STROOMKABELGESP                      | NETZKABELSCHNALLE          | BOUCLE DE CORDON D'ALIMENTATION |
| 34       | 314111.005  | CRANKCASE                     | KRUKKAST                             | KURBELGEHÄUSE              | CARTER VILLEBREQIN              |
| 35       | 203017.004  | HEX SCREW                     | ZESKANTSCHROEF                       | SECHSKANTSCHRAUBE          | VIS HEX                         |
| 36       | 208001.031  | BEARING                       | LAGER                                | LAGER                      | ROULEMENT                       |
| 37       | 313411.006  | CRANK                         | SLINGER / KRUK                       | KURBEL                     | VILLEBREQIN                     |
| 38       | 323112.005  | FAN                           | VENTILATOR                           | LÜFTER                     | VENTILATEUR                     |
| 39       | 353112.001  | AIR FILTER                    | LUCHTFILTER                          | LUFTFILTER                 | FILTRE À AIR                    |
| 40       | 341111.002  | HUSH PIPE                     | STILTEPIJP                           | ROHR                       | TUBE                            |
| 41       | 351111.021  | HORIZONTAL TANK               | HORIZONTALE TANK                     | HORIZONTALER TANK          | RÉSERVOIR HORIZONTAL            |
| 42       | 333311.016  | REGULATOR VALVE               | REGELAARKLEP / REGELVENTIL           | REGULERVENTIL              | VALVE DE REGULATION             |
| 43       | 332211.005  | GAUGE                         | METER                                | MESSGERÄT                  | JAUGE                           |
| 44       | 343511.004  | ELBOW                         | BOCHT                                | ELBBOGEN                   | COUDE                           |
| 45       | 342111.002  | QUICK COUPLING                | SNELKOPPELING                        | REG                        | CONNECTION RAPIDE               |
| 46       | 203018.001  | BOLT                          | BOUT                                 | BOLZEN                     | BOULON                          |
| 47       | 341111.004  | NYLON PIPE                    | NYLON PIJP                           | NYLONROHR                  | TUYAU NYLON                     |
| 48       | 333211.001  | SAFETY VALVE                  | VEILIGHEIDSKLEP                      | SICHERHEITSVENTIL          | VALVE DE SÉCURITÉ               |
| 49       | 343511.005  | ELBOW                         | BOCHT                                | ELBBOGEN                   | COUDE                           |
| 50       | 341211.004  | EXHAUST PIPE                  | UITLAATPIJP                          | AUSPUFF                    | TUBE D'ÉCHAPPEMENT              |
| 51       | 333511.003  | CHECK VALVE                   | CONTOLEKLEP / TERUGSLAGKLEP          | RÜCKSCHLAGVENTIL           | VALVE DE CONTRÔLE               |
| 52       | 331111.005  | PRESSURE SWITCH               | DRUKSCHAKELAAR                       | DRUCKSCHALTER              | PRESSOSTAT                      |
| 53       | 342311.001  | FLEXIBLE JOINT 1              | FLEXIBELE VERBINDING 1               | FLEXIBLE VERBINDUNG 1      | JOINT SOUPLE 1                  |
|          | 342312.001  | FLEXIBLE JOINT 2              | FLEXIBELE VERBINDING 2               | FLEXIBLE VERBINDUNG 2      | JOINT SOUPLE 2                  |
| 54       | 316611.001  | GASKET                        | PAKKING                              | DICHTUNG                   | JOINT                           |
| 55       | 203017.007  | SCREW                         | SCHROEF                              | SCHRAUBE                   | VIS                             |
| 56       | 333111.002  | SAFETY VALVE                  | VEILIGHEIDSKLEP                      | SICHERHEITSVENTIL          | VALVE DE SÉCURITÉ               |
| 57       | 324311.001  | CAPACITOR COVER               | CONDENSATOR DEKSEL                   | LAGER ABDECKUNG            | COUVERCLE DE CONDENSATEUR       |
| 58       | 324111.003  | CAPACITOR                     | CONDENSATOR                          | KONDENSATOR                | CONDENSATEUR                    |
| 59       | 203014.002  | CROSS SCREW                   | KRUISSCHROEF                         | KREUZSCHRAUBE              | VIS                             |
| 60       | 205010.019  | FLAT WASHER                   | PLATTE SLUITRING                     | UNTERLEGSCHEIBE            | RONDELLE PLATE                  |
| 61       | 341111.001  | NYLON PIPE                    | NYLON PIJP                           | NYLONROHR                  | TUYAU NYLON                     |
| 62       | 344211.001  | LINING                        | VOERING                              | AUSKLEIDUNG                | LIGNE                           |
| 63       | 344111.001  | FERRER                        | RING                                 | LAGER                      | OLIVE                           |
| 64       | 344311.001  | NUT                           | MOER                                 | MUTTER                     | ECROU                           |
| 65       | 333611.001  | BALL VALVE                    | KOGELKLEP                            | KUGELVENTIL                | BILLE DE VALVE                  |
| 66       | 352211.001  | FOOT PAD                      | VOETKUSSEN                           | FUSSPOLSTER                | PIED                            |
| 67       | 201012.011  | BOLT                          | BOUT                                 | BOLZEN                     | BOULON                          |
| 68       | 334111.010  | POWER CORD                    | STROOMKABEL                          | NETZKABEL                  | CORDON D'ALIMENTATION           |
| 69       | 326211.003  | POWER CORD BUCKLE             | STROOMKABELGESP                      | NETZKABELSCHNALLE          | BOUCLE DE CORDON D'ALIMENTATION |
| 70       | 352113.002  | HANDLE SLEEVE                 | HANDVATHULS                          | GRIFFHÜLSE                 | CHEMISE DE POIGNÉE              |