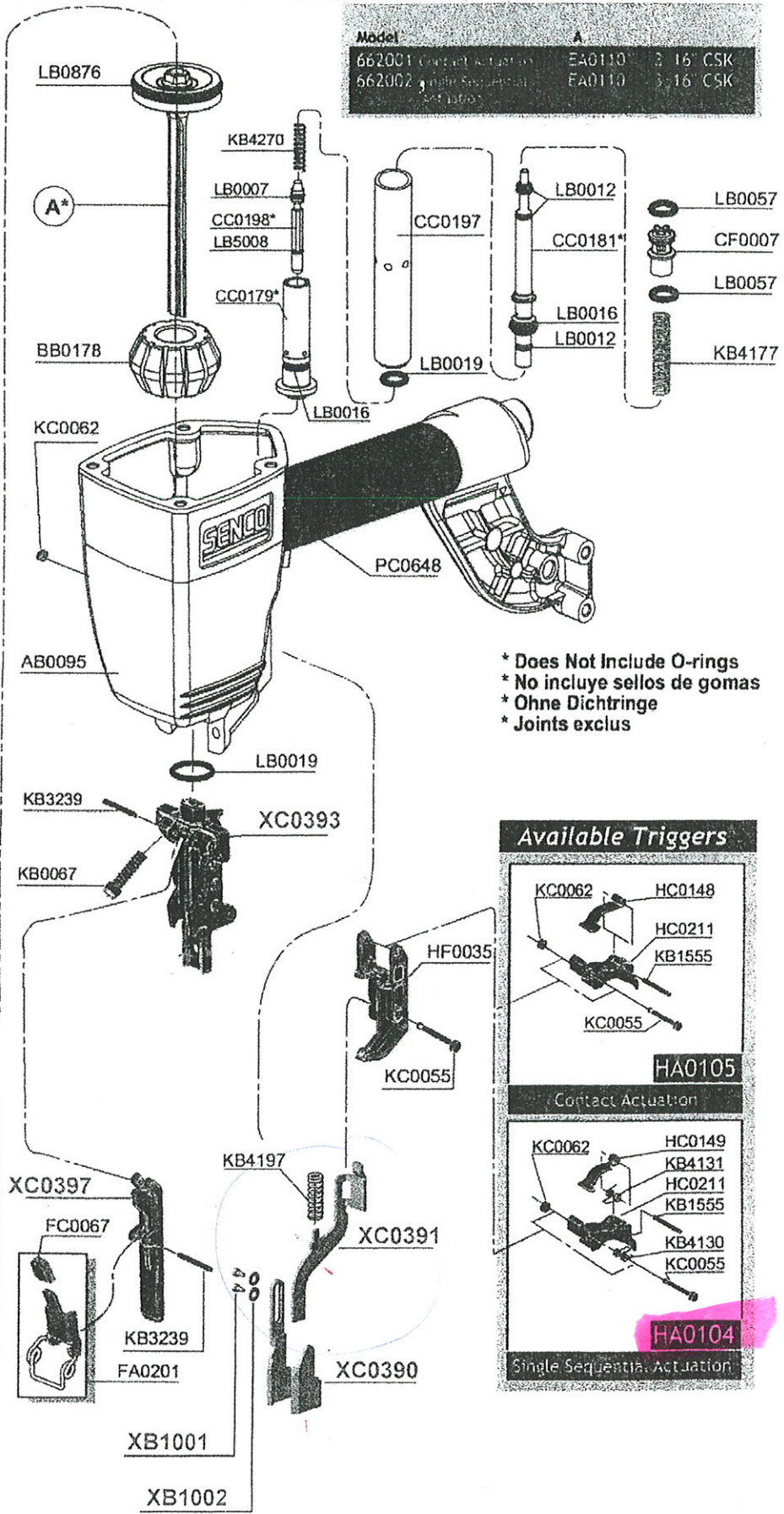
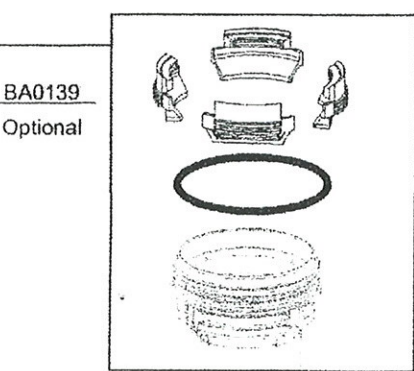
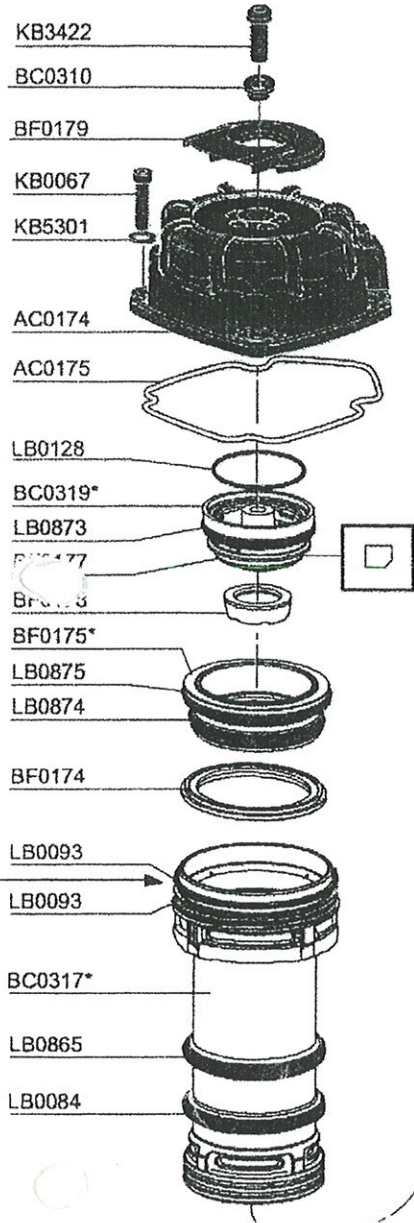


SQS55 - XL3089



SQS55

SENCO



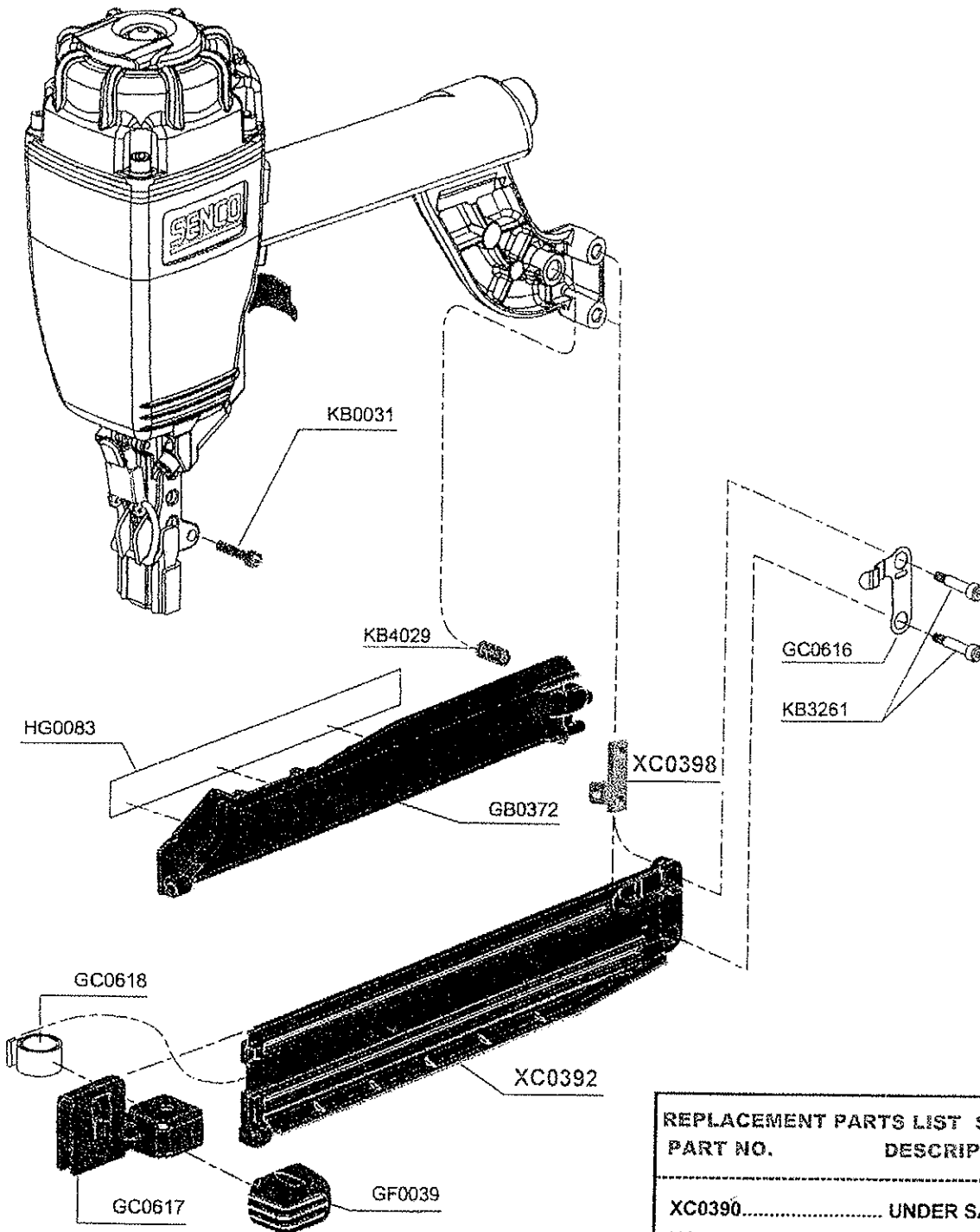
Model	A	
662001 Contact Actuation	EA0110	3-16 CSK
662002 Single Sequential Actuation	EA0110	3-16 CSK

- * Does Not Include O-rings
- * No incluye sellos de gomas
- * Ohne Dichtringe
- * Joints exclus

Available Triggers

HA0105
Contact Actuation

HA0104
Single Sequential Actuation



REPLACEMENT PARTS LIST SQS55-XL3089	
PART NO.	DESCRIPTION
XC0390.....	UNDER SAFETY
XC0391.....	UPPER SAFETY
XC0392.....	MAGAZIN RAIL
XC0393.....	BACKPLATE
XC0397.....	BOTTOM FRONT PLATE
XC0398.....	DOOR BRACKET
XB1001.....	SCREW
XB1002.....	WASHER