

F-15 (FN65DA)

15 GAUGE FINISH NAILER

SENCO®



Parts Reference Guide



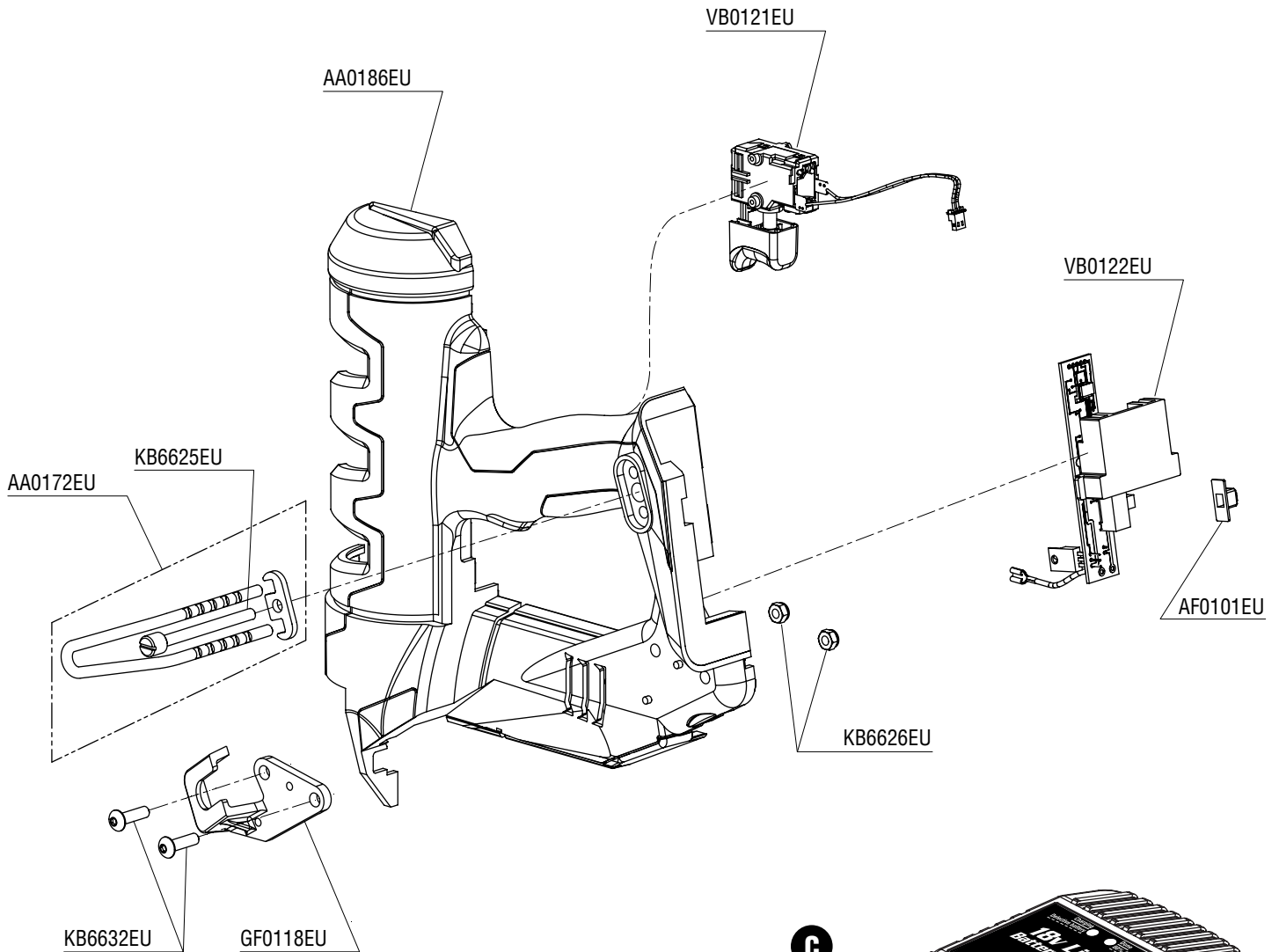
* Schematic drawings inside

Senco Brands, Inc.
4270 Ivy Pointe Blvd.
Cincinnati, OH 45245
www.senco.com
EMEA - www.verpa-senco.com

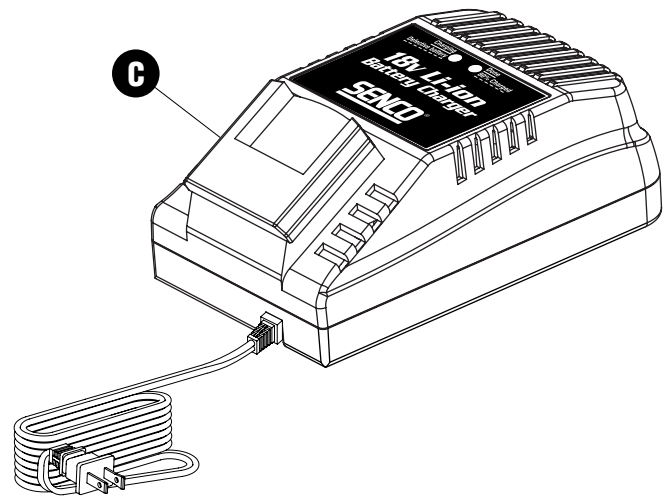
Questions? Comments? call SENCO's toll-free Action-line:
1-800-543-4596 (North & South America only)
or e-mail: toolprof@senco.com

FN65DA 15 Gauge Finish Nailer

SENCO



Tool #	A	B	C
5N2001N (EU)	GA0686EU	VB0129EU	VB0130EU
5N7001N (UK)	GA0686EU	VB0129EU	VB0132EU

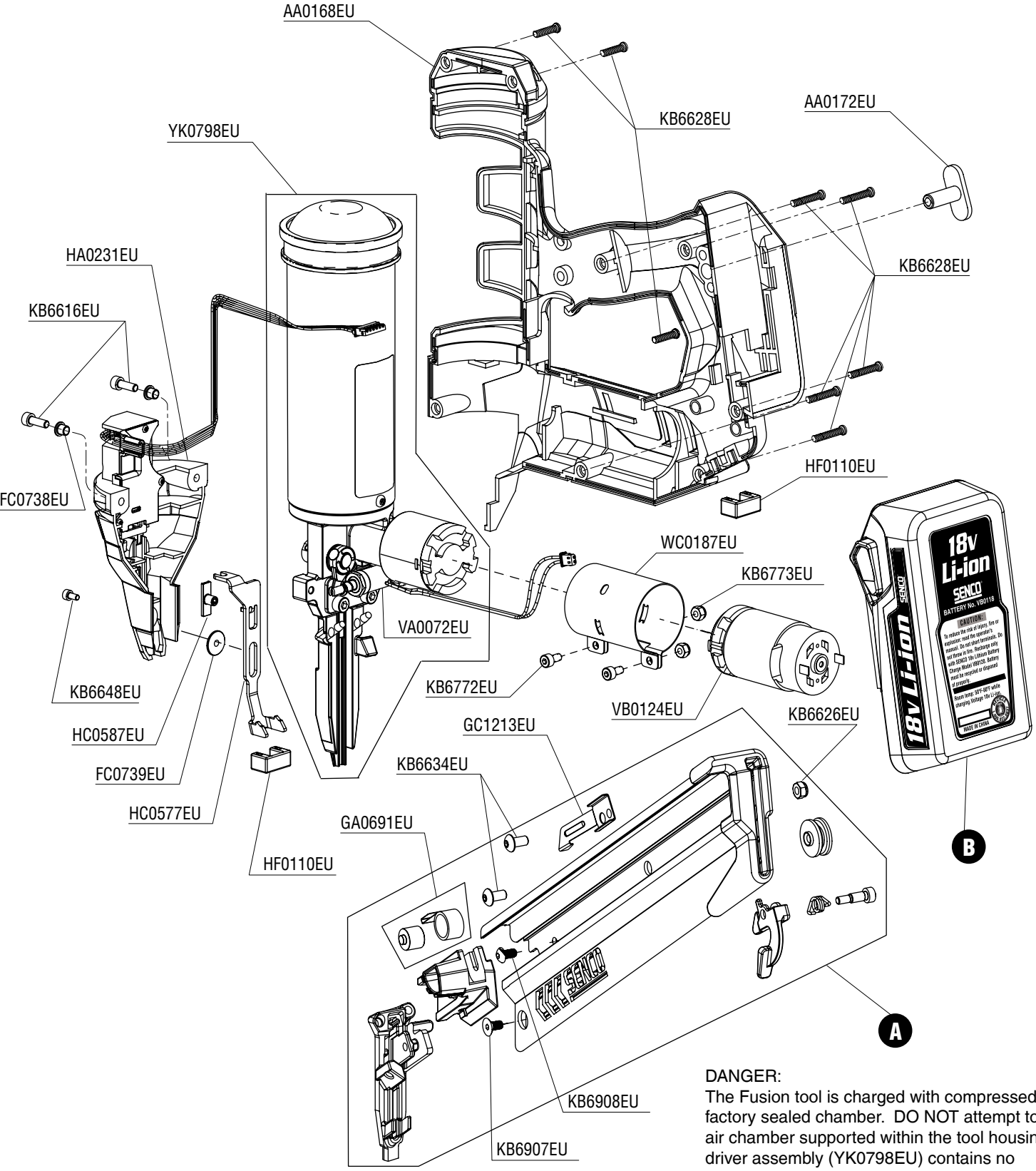


EU DESIGNED PARTS CAN BE DIFFERENT

FN65DA 15 Gauge Finish Nailer

SENCO®

NFE05N Revised December 5, 2011 (Replaces 11/22/11) © 2011 by SENCO Brands, Inc. Cincinnati, Ohio 45245—U.S.A.



EU DESIGNED PARTS CAN BE DIFFERENT

DANGER:
 The Fusion tool is charged with compressed air in a factory sealed chamber. **DO NOT** attempt to open the air chamber supported within the tool housing. The driver assembly (YK0798EU) contains no user-serviceable parts. Major components such as the piston/driver assembly, gearbox, piston stop and guide body are all part of the drive assembly.

- Deliberate tampering with the drive assembly may result in the release of the driver.
- Any repair or upgrade requiring access to the pressure chamber should be handled by an authorized Senco dealer or service center.

FN65DA 15 Gauge Finish Nailer

REPLACEMENT PARTSLIST • LISTA DE PARTES DE REPUESTO • ERSATSTEILE-LISTE • LISTE DE PIÈCES DE RECHANGE

PART NO.	DESCRIPTION	DESCRIPCIÓN	BESCHREIBUNG	DÉSIGNATION
AA0172EU	BELT HOOK	GANCHO DE CINTURÓN	GURTHAKEN	CROCHET DE CEINTURE
AA0168EU	BODY, RIGHT HALF	CARCASA	GEHÄUSE	CORPS
AA0186EU	BODY, LEFT HALF	CARCASA	GEHÄUSE	CORPS
AF0101EU	COVER	CUBIERTA	ABDECKUNG	COUVERCLE
FC0738EU	STANDOFF	SEPARADOR	SISTANZSTÜCK	ENTRETOISE
FC0739EU	STANDOFF	SEPARADOR	SISTANZSTÜCK	ENTRETOISE
GA0686EU	RAIL ASSY	CARRIL	SCHIENE	RAIL
GA0691EU	FEED SPRING	RESORTE	FEDER	RESSORT
GC1213EU	DETAINER	RETENEDOR	SPERRE	ARRÊT
GF0118EU	BRACKET, MOUNTING	SOPORTE	HALTERUNG	CAVALIER
HA0231EU	SAFETY ASSY	ASAMBLE DE SEGURO	SICHERHEITSVORRICHTUNG	PALPEUR DE SÉCURITÉ
HC0577EU	SAFETY ELEMENT	ASAMBLE DE SEGURO	SICHERHEITSVORRICHTUNG	PALPEUR DE SÉCURITÉ
HC0587EU	INDICATOR	MANOMÉTRICA	ZEIGER	BAGUETTE
HF0110EU	NO-MAR PAD	AMORTIGUADOR	SCHUTZ	COUSSIN
KB6616EU	SCREW	TORNILLO	SCHRAUBE	VIS
KB6625EU	SCREW	TORNILLO	SCHRAUBE	VIS
KB6626EU	NUT	TUERCA	MUTTER	ÉCROU
KB6628EU	SCREW	TORNILLO	SCHRAUBE	VIS
KB6632EU	SCREW	TORNILLO	SCHRAUBE	VIS
KB6634EU	SCREW	TORNILLO	SCHRAUBE	VIS
KB6648EU	SCREW	TORNILLO	SCHRAUBE	VIS
KB6772EU	SCREW	TORNILLO	SCHRAUBE	VIS
KB6773EU	NUT	TUERCA	MUTTER	ÉCROU
KB6907EU	SCREW	TORNILLO	SCHRAUBE	VIS
KB6908EU	SCREW	TORNILLO	SCHRAUBE	VIS
VA0072EU	SOLENOID	SOLENOIDE	MAGNETVENTIL	SOLÉNOIDE
VB0121EU	TRIGGER	GATILLO	AUSLÖSER	GÂCHETTE
VB0122EU	PCB HOUSING	ALOJAMIENTO	GEHÄUSE	CORPS
VB0124EU	MOTOR, DRIVE ASY	MOTOR IMPULSOR	ANTRIEBSMOTOR	MOTEUR, ENTRA
VB0129EU	BATTERY	BATERIA	BATTERIE	BATTERIE
VB0130EU	CHARGER (EURO)	CARAGADOR	LADEGERÄT	CHARGEUR
VB0132EU	CHARGER (U.K.)	CARAGADOR	LADEGERÄT	CHARGEUR
WC0187EU	CLAMP	ALOJAMIENTO	GEHÄUSE	CORPS
YK0798EU	DRIVE ASY	MECHANISM DE PERCUSOR	TREIBEN-ZUSAMMENBAU	ENFONCER D'ASSEMBLÉE